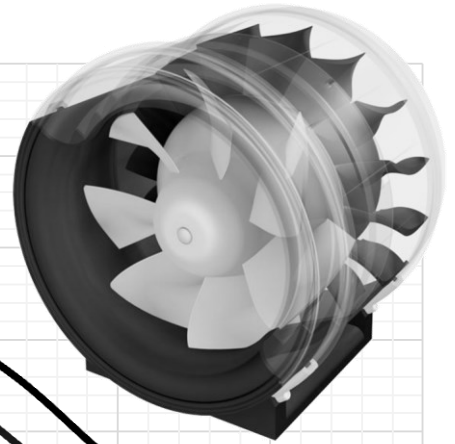
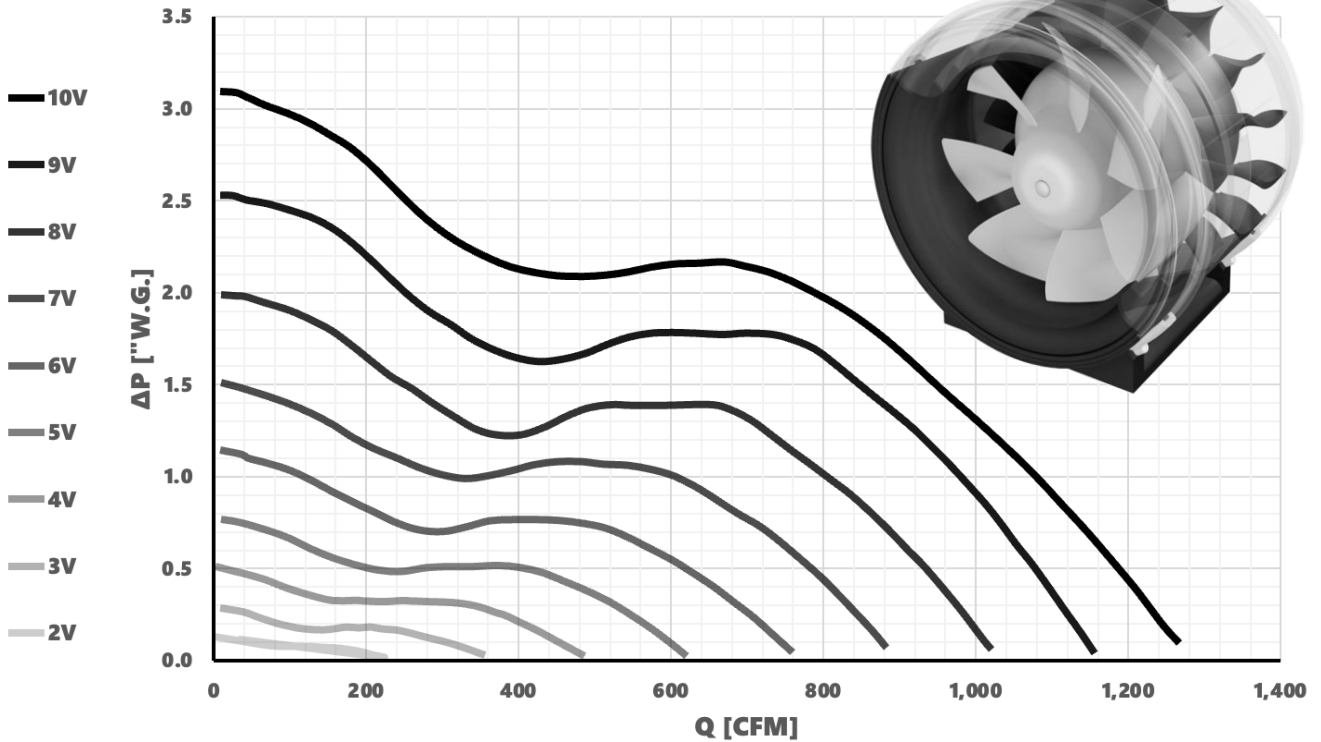




- ✓ **Filtered air supply unit**
- ✓ **Fine-adjustable wide airflow range**
- ✓ **Configurable filtration and active control**
- ✓ **Substantial energy efficiency**

A rugged and versatile professional-grade clean air supply unit for ducted systems. Saves operational costs with efficient electrically-commutated fans and serial control.

## POD Air 10 EC - PV Curves



- ✓ High performance mixed flow duct fan
- ✓ Configurable for optimal filtration, speed and remote activation
- ✓ Rugged construction with easy maintenance access
- ✓ Omnidirectional mounting using antivibration feet, suspension chains or bungees
- ✓ Powerful fan for handling long flexible ducting
- ✓ Safe and reliable using industry-best certified components and a modular DIN-rail controller.
- ✓ Serial data interface (DB9), readily integrated with control systems (e.g. GPIO, DMX)
- ✓ Steady state or dynamic on/off control. Precision speed control with digital potentiometer
- ✓ Optional AC, EC, 230V and 110V versions





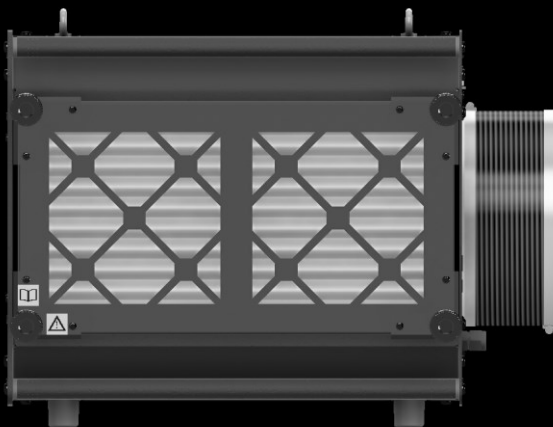
# POD Air - Clean air supply

Parameter	POD Air 10 EC		POD Air 10 AC	
	110VAC	230VAC	110VAC	230VAC
<b>SKU</b>	00071190	00071191	00071192	00071193
<b>Duct Size</b>	250mm / 10 in			
<b>Power <sup>(1)</sup></b>	110 – 125 VAC 60Hz	230 VAC 50Hz	110 – 125 VAC 60Hz	230 VAC 50Hz
<b>Max Power Consumption</b>	298 W / 1016 BTU	304 W / 1037 BTU	237 W / 809 BTU	170 W / 580 BTU
<b>Current Draw</b>	3.4 A	2.1 A	2.0 A	0.81 A
<b>Power Connection <sup>(2)</sup></b>	Pre-corded, optional plugs			
<b>Max. fan speed</b>	3870 rpm	3880 rpm	3200 rpm	2880 rpm
<b>Rated Flowrate</b>	1312 cfm	1280 cfm	1062 cfm	956 cfm
<b>Remote trigger</b>	DB9 DSUB Female Connector +5VDC HIGH/LOW, 38mA			
<b>Fan Type</b>	EC		AC	
<b>Speed Control</b>	0-10V		3-stage motor, external windings	
<b>Noise <sup>(3)</sup></b>	Dependent on configuration, please enquire for guidance			
<b>Dimensions</b>	538 x 444 x 539, [21.2 x 17.5 x 21.2]			
W x D x L (mm)[in]				
<b>Mass</b>	26 Kg [57lbm]			
<b>Operating Environment</b>	5-40 °C, 41-104 °F			
	Relative humidity: 10-80% non-condensing			
<b>Compliance</b>	CE (BS EN IEC 62368-1:2020+A11:2020), UL-rated components			

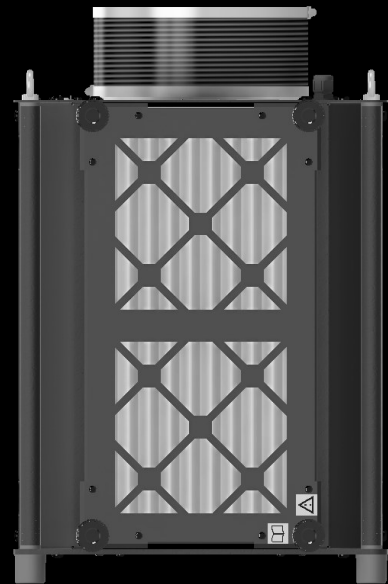
(1) Check with Portal Devices for guidance on other mains power types

(2) Standard cables, configured options available

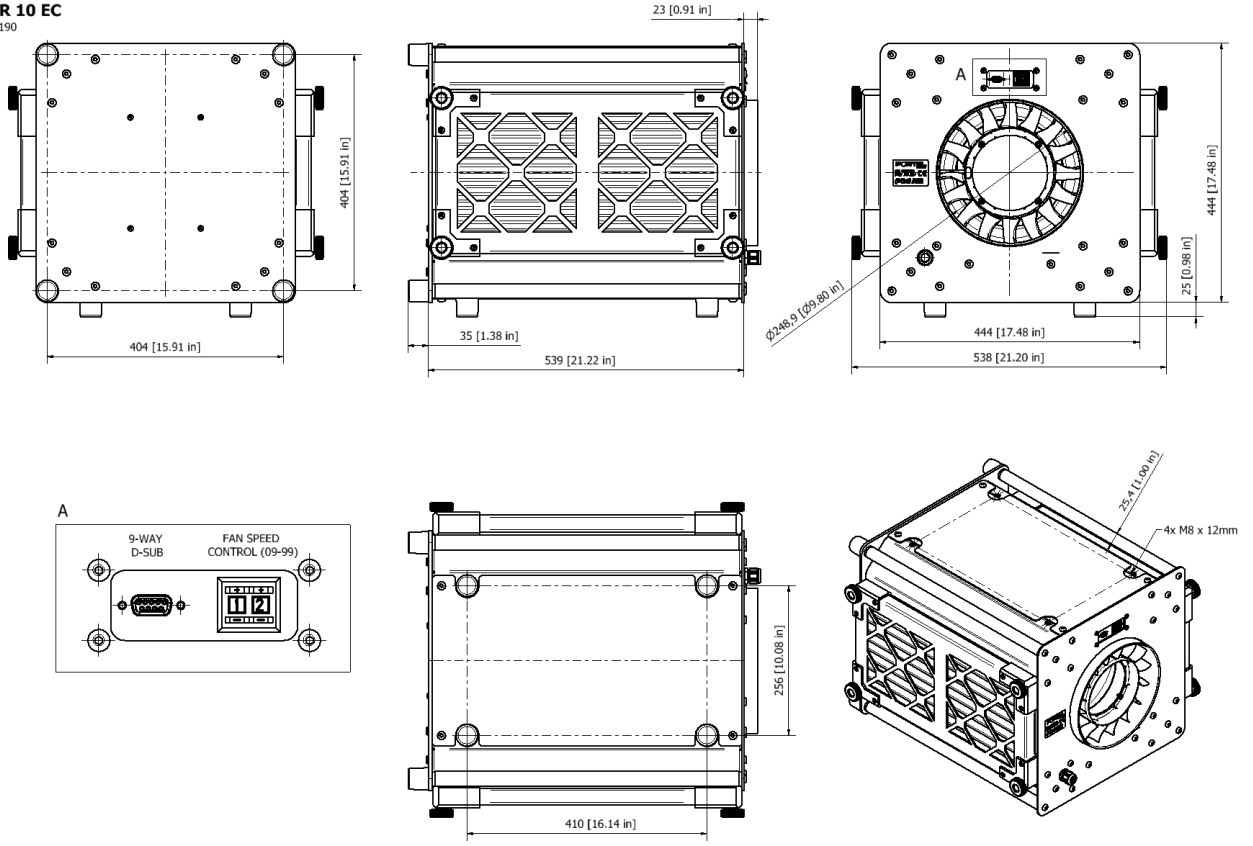
(3) Noise emissions vary substantially according to speed and configuration. Portal Devices can guide on this and soundproofing if required.



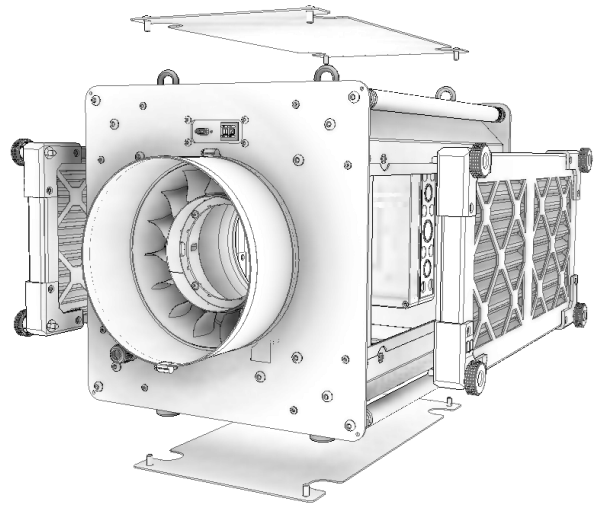
**Mount  
horizontally  
or vertically**



**POD AIR 10 EC**  
SKU:00071190



- ✓ Easy access for in-situ service
- ✓ Dust filters and spares are available worldwide



- ➔ Contact Portal Devices to discuss your project needs
- ➔ Technical support available (filtration, compatibility, ducting, etc.)
- ➔ Available as standard models or readily configured for filtration and control